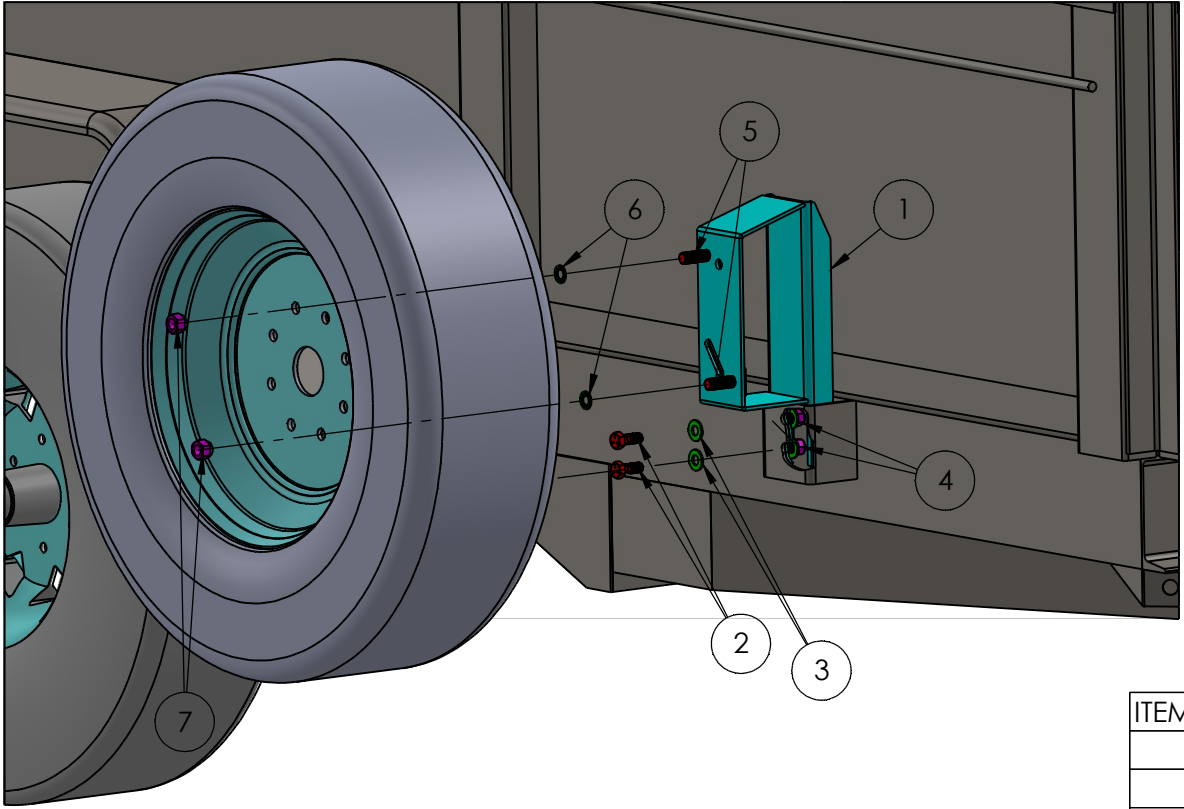


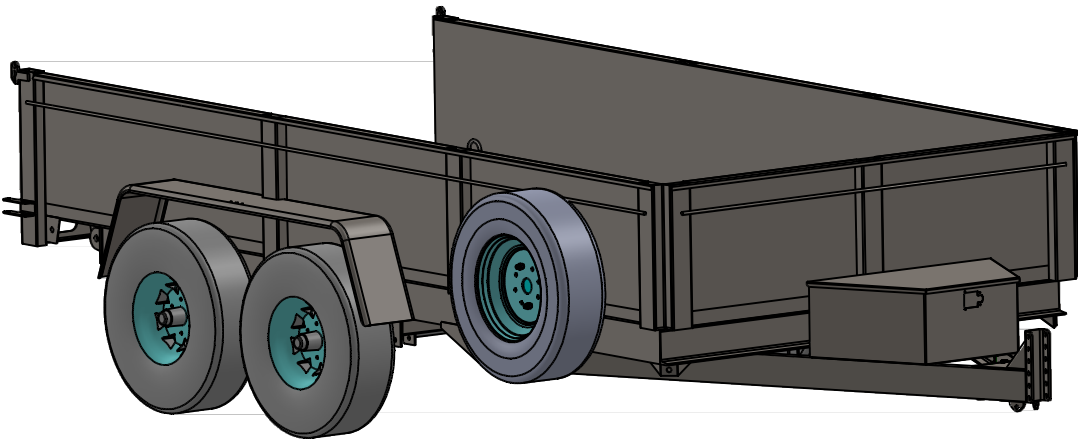
REVISIONS			
REV.	DATE	APPROVED	DESCRIPTION




INSTALLATION INSTRUCTIONS

1. SLIDE SPARE TIRE MOUNT (ITEM #1) INTO POCKET THAT'S WELDED ONTO THE TRAILER FRAME.
2. USE 1/2-13 HARDWARE (ITEM #'S 2, 3, & 4) TO BOLT ITEM #1 TO THE POCKET
3. PLACE ITEM #5 (OR #8 DEPENDING ON WHEEL) IN CORRECT LOCATION ON SPARE TIRE MOUNT BASED ON THE HOLE PATTERN OF YOUR WHEEL.
4. SLIDE INTERNAL TOOTH WASHER (ITEM #6) ONTO BOLT ON OUTSIDE OF SPARE TIRE MOUNT TO KEEP THE BOLTS IN PLACE.
5. MOUNT SPARE TIRE ONTO BOLTS AND TIGHTEN LUGNUTS (ITEM #7 OR 9) TO BOLTS

ITEM NO.	PART NUMBER	QTY.
1	T202872,SPARE TIRE MOUNT	1
2	T800516,1/2-13 X 1.25 HHCS	2
3	T800312,1/2" SAE FLAT WASHER	4
4	T800101,SAFETY CABLE NUT(12-13 NYLOK)	2
5	T800536,9/16-18 x 1 3/4 BOLT	2
6	T800310,1/2" INTERNAL LOCK WASHER	2
7	T400262,9/16-18 LUG NUT	2
8	T800522,1/2-20 X 1-3/4" HEX CAP SCREW	2
9	B102-091,1/2-20 LUG NUT	2
10	T800316, 9/16 INTERNAL LOCK WASHER	2



		<small>1002 WAYNE AVENUE CHAMBERSBURG, PA 17201 PH: 717-261-0922</small>	
		<small>CONFIDENTIAL DOCUMENT</small>	
MODEL: BRI-MAR/TRAILERS/DUMP TRAILERS			
PART: SPARE TIRE MOUNT ASSEMBLY			
DWG. #: P300348	DRWN BY: TWG	APRVD BY: TWG	DATE: 2/11/2019
MATERIAL: SEE BOM			WEIGHT:
TOLERANCES: DEC. ± .005"		FRAC. ± 1/16"	ANG. ± 2.0°
SCALE: 1:64	SHEET: 1 OF 1	SIZE: A	REVISION: 0